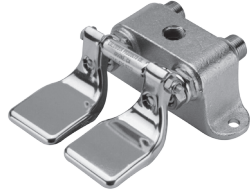


COLUMBIA PRODUCTS SANI-LAV[®]

Valves



Model 101S, 101L



Model 102S, 102L



Model 103S, 103L



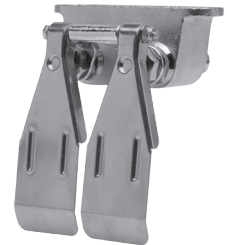
Model 104S, 104L



Model 105S, 105L



Model 106S, 106L



Model 111S, 111L



Model 109S, 109L



Model 110S, 110L



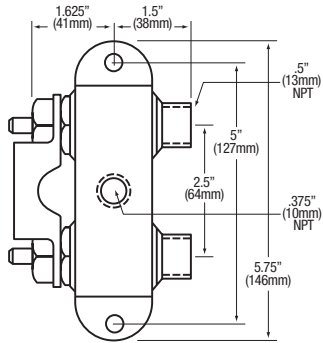
Model 112S, 112L



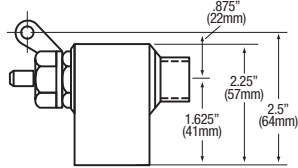
Model 201L



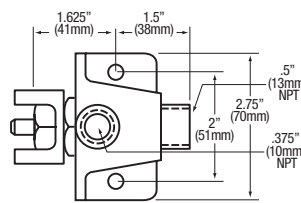
■ Double Valve Plan View



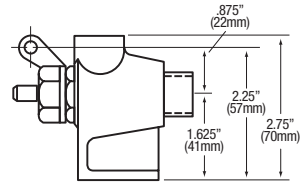
■ Double Valve Side View



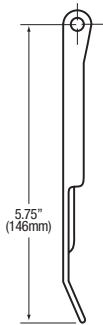
■ Single Valve Plan View



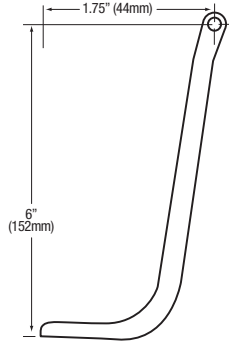
■ Single Valve Side View



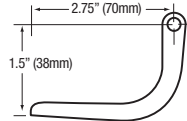
■ Knee Pedal Side View



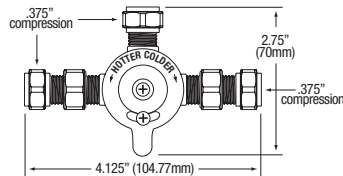
■ Extended Pedal Side View



■ Short Pedal Side View



■ Model 201L Front View

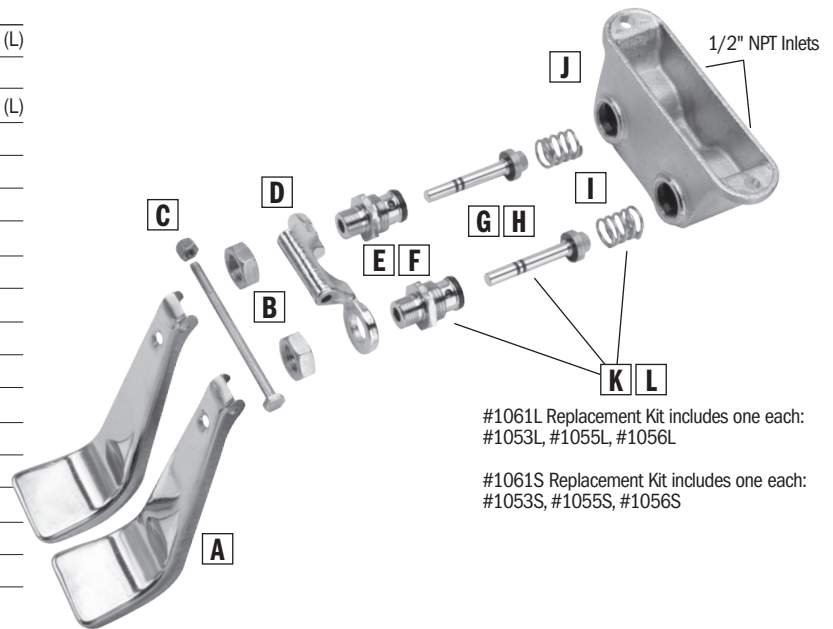


All Pedals 2" Wide

Replacement Parts

Part No.	Description	Application
A 1041	Operated, Long Foot	103/104/105/106 (S) (L)
1042*	Operated, Short Foot	101/102 (S) (L)
1043*	Operated, Knee	109/110/111/112 (S) (L)
1049*	Bolt & Nut Set (Stainless)	All Single Valves
B 1050	Jam Nut (Stainless)	All Valves
C 1051	Bolt & Nut Set (Stainless)	All Double Valves
D 1052	Bracket	All Double Valves
E 1053	Threaded Insert (Low Lead)	All Valves
F 1053S	Threaded Insert (Stainless)	All Valves
1054*	Bracket	All Single Valves
G 1055	Plunger Assembly (Low Lead)	All Valves
H 1055S	Plunger Assembly (Stainless)	All Valves
I 1056	Spring (Stainless)	All Valves
J 1057	Body only, Double Valve (Low Lead)	All Double Valves
1058*	Body only, Single Valve	All Single Valves
K 1061L	Replacement Kit (Low Lead)	All Valves
L 1061S	Replacement Kit (Stainless)	All Valves

*not shown



#1061L Replacement Kit includes one each:
#1053L, #1055L, #1056L

#1061S Replacement Kit includes one each:
#1053S, #1055S, #1056S