

# COLUMBIA PRODUCTS

## SANI-LAV<sup>®</sup>

### Operating Manual for Floor Mounted Sinks Model 501FL



Columbia does not recommend use with harsh chemicals.  
NSF/ANSI Standard 2 - Food Equipment and NSF/ANSI 372 low-lead.

**Parts List**

- (1) Sink bowl – Model 501FL
- (1) Pedestal base
- (1) Set of 6 mounting nuts to attach bowl to pedestal base
- (1) Chrome-plated faucet with a 10” swivel spout and 4” wing levers (8” on center) – Model 2004
- (1) Faucet mounting kit - Model SMK
- (1) Strainer assembly with basket – Model 1010

**Tools Required**

- Tape Measure
- Adjustable Wrench
- Drill Motor and Drill Bits
- Pipe Wrench
- Level
- Safety Glasses
- Screw Drivers: 1 Phillips & 1 Standard
- Pencil
- Socket Wrench

**Installation Instructions**

**Step 1**

1. Attach bowl to pedestal base by slipping bolts on bowl through openings on pedestal base as shown in illustration A.
2. Tighten the 6 nuts to the threaded bolts under bowl. Do not over-tighten. There are 6 bolts that will securely hold the bowl in place.



Illustration A

**Step 2**

1. Place the sink at the desired location.
2. Mark the floor where the four holes are at the pedestal base as shown in illustration B.
3. Drill holes as required for mounting hardware. (Hardware not included)

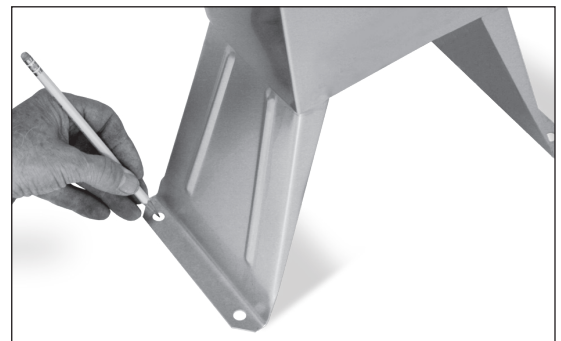


Illustration B

**Step 3**

1. Install strainer assembly using plumbers putty to seal the strainer to sink.
2. Install faucet assembly to the sink back-splash.
3. Install hot and cold water lines to the back of the faucet. (not provided)

**Step 4**

1. Mount pedestal sink to the floor.
2. Connect waste line or drain pipe to strainer assembly. (not provided)
3. Connect hot and cold water supplies lines to the water source. (not provided)

**Step 5**

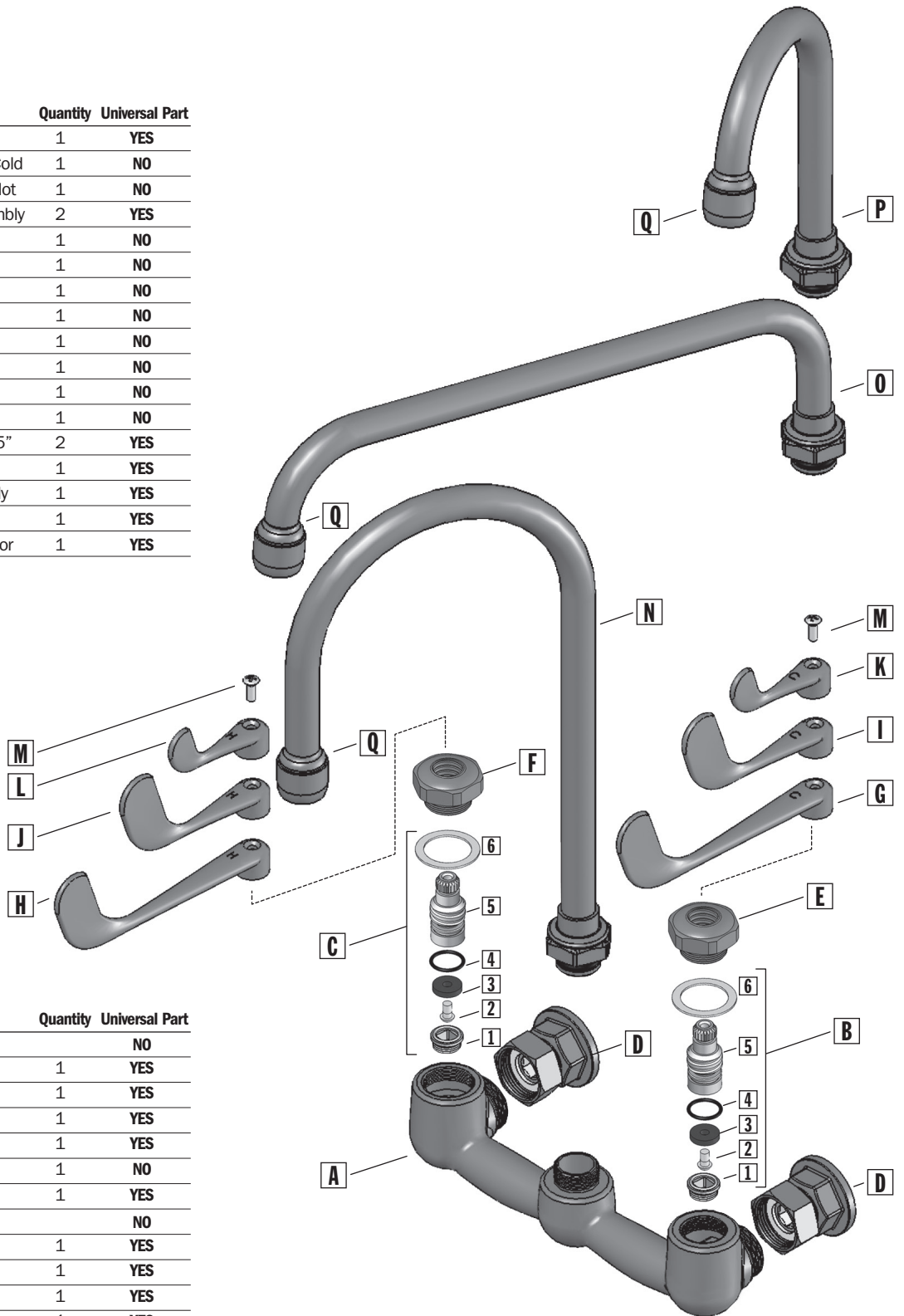
1. Turn water on.
2. Remove aerator from the spout and flush water system.
3. Check connections for leaks.
4. Replace aerator onto the spout.

**Trouble Shooting Guide**

Problem	Possible Cause	To Diagnose	Remedy
Water drips from the spout or from under the lever.	1. Seat washer is worn 2. Seat is worn 3. O-rings are worn	Shut cold water source off. See if water still leaks from the spout. If leaks continues repair hot side if not repair cold side.	Recommend installing hot or cold faucet repair kit.

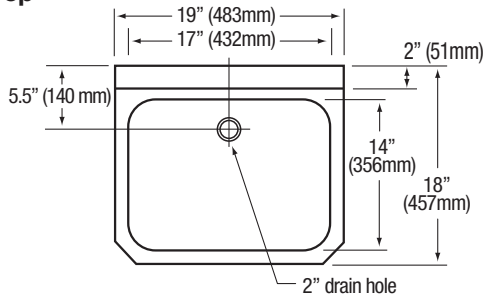
**Replacement Parts**

Part No.	Description	Quantity	Universal Part
<b>A</b>	2004-1 Faucet Body Assembly	1	YES
<b>B</b>	1062-C Faucet Valve Repair Kit - Cold	1	NO
<b>C</b>	1062-H Faucet Valve Repair Kit - Hot	1	NO
<b>D</b>	2004-2 Female Wall Flange Assembly	2	YES
<b>E</b>	2004-3A Bonnet Nut - Cold	1	NO
<b>F</b>	2004-4A Bonnet Nut - Hot	1	NO
<b>G</b>	2010-1 Handle 6" inch - Cold	1	NO
<b>H</b>	2010-2 Handle 6" inch - Hot	1	NO
<b>I</b>	2011-1 Handle 4" inch - Cold	1	NO
<b>J</b>	2011-2 Handle 4" inch - Hot	1	NO
<b>K</b>	2012-1 Handle 2.5" inch - Cold	1	NO
<b>L</b>	2012-2 Handle 2.5" inch - Hot	1	NO
<b>M</b>	2004-5 10-24 Oval Csk Screw x .5"	2	YES
<b>N</b>	2003-1 Swivel spout Assembly	1	YES
<b>O</b>	2001-1 12" swivel spout Assembly	1	YES
<b>P</b>	2002-1 6" swivel spout Assembly	1	YES
<b>Q</b>	1002 55/64 - 27 Female aerator	1	YES

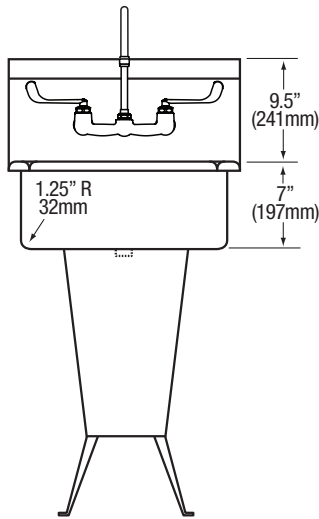


Part No.	Description	Quantity	Universal Part
<b>B</b>	<b>1062-C Faucet Valve Repair Kit - Cold</b>		NO
<b>1</b>	Seat	1	YES
<b>2</b>	Seat Washer Screw	1	YES
<b>3</b>	Seat Washer	1	YES
<b>4</b>	O-ring	1	YES
<b>5</b>	Valve Stem	1	NO
<b>6</b>	Bonnet Nut Washer	1	YES
<b>C</b>	<b>1062-H Faucet Valve Repair Kit - Hot</b>		NO
<b>1</b>	Seat	1	YES
<b>2</b>	Seat Washer Screw	1	YES
<b>3</b>	Seat Washer	1	YES
<b>4</b>	O-ring	1	YES
<b>5</b>	Valve Stem	1	NO
<b>6</b>	Bonnet Nut Washer	1	YES

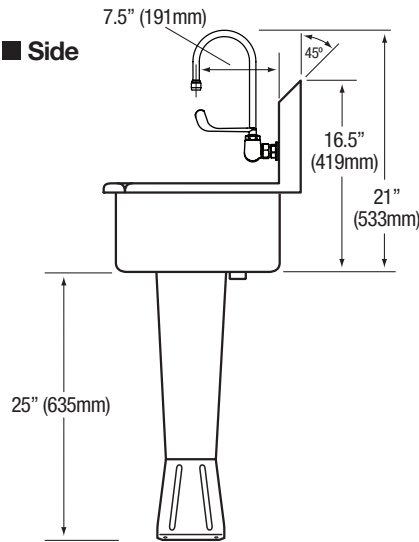
■ Top



■ Front



■ Side



■ Hole Configurations

